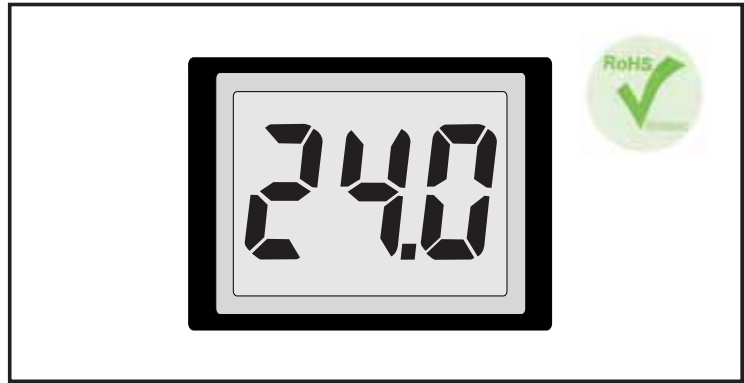


This low cost, compact indicator is ideally suited for low or high volume applications. SP 5-1200-BL is an easy to mount LCD digital panel meter. The module features a 4 to 25V measurement range with 100mV resolution and is powered from the signal it is measuring. Only valid readings are displayed; the module indicates "LO" at voltages below 4V and "HI" at voltages above 25V. Screw terminals allow for quick and easy connection. The module is panel mounted using the metal clip provided and a rubber seal is included, providing splashproof protection for the unit when fitted to the meter during installation.

- 🔌 2-Wire Operation (excluding backlighting)
- 🔌 4 to 25V d.c. Full Scale Reading
- 🔌 18mm / 0.7" LCD Digit Height
- 🔌 Reverse Polarity Protection
- 🔌 No Calibration Required (pre-calibrated for use)
- 🔌 Splashproof
- 🔌 LED Backlighting (via separate supply)
- 🔌 Screw Terminal Connections



ELECTRICAL SPECIFICATIONS

Specification	Min.	Typ.	Max.	Unit
Accuracy (overall error)		0.2		V (± 1 count)
Linearity			± 1	count
Valid displayed reading*	4.0		25.0	V d.c.
Resolution		100		mV d.c.
Sample rate		3		samples/sec
Operating temperature range	0		50	$^{\circ}$ C
Supply voltage	Meter	3	50	V d.c.
	Backlighting		5	V d.c.
Supply current	Meter (@ 9V d.c.)		1.5	mA
	Backlighting (@ 5V d.c.)		50	mA

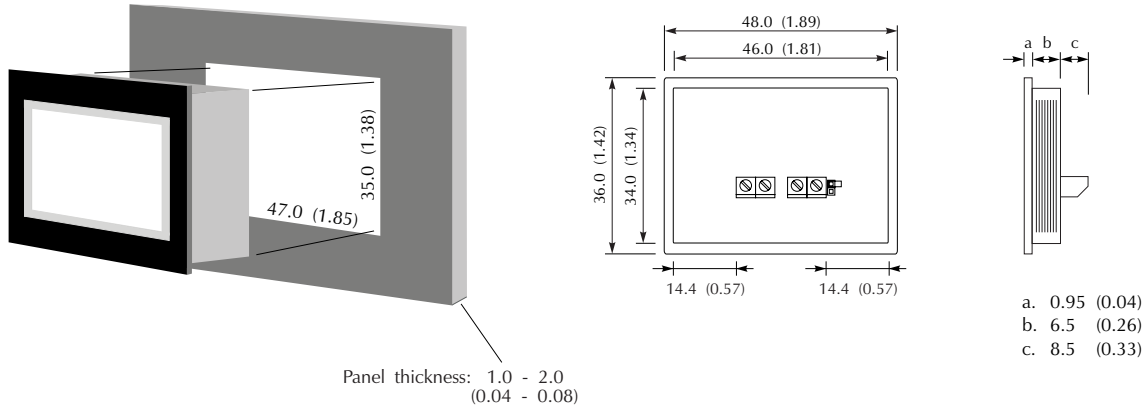
* At voltages below 4.0V d.c., the LCD will display *LO* and will ultimately go blank.
 At Voltages in excess of 25.0V d.c., the LCD will display *HI*.
 Do NOT exceed 50V d.c., as this may damage the meter.
 The module includes reverse polarity protection up to 30V for up to 30 seconds.
 Operation and accuracy at voltages above 25.0V or below 4.0V are not specified.

SAFETY

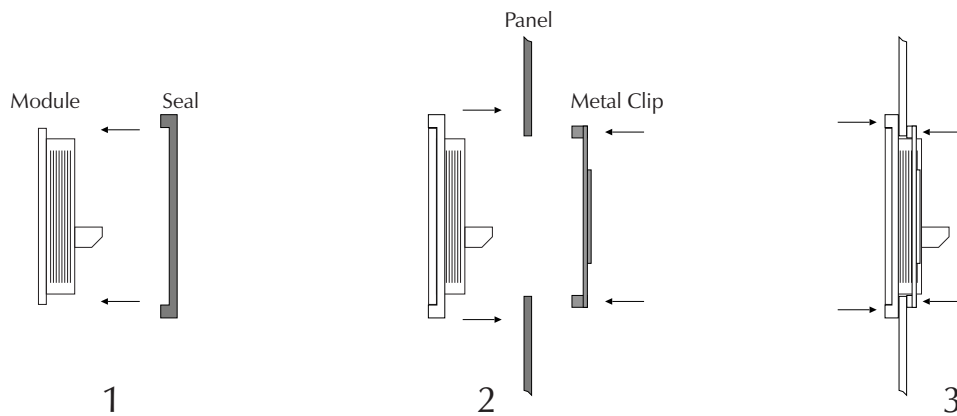
To comply with the Low Voltage Directive (LVD 93/68/EEC), input voltages to the module's connections must not exceed 60Vd.c. The user must ensure that the incorporation of the meter into the user's equipment conforms to the relevant sections of BS EN 61010 (Safety Requirements for Electrical Equipment for Measuring, Control and Laboratory Use).

DIMENSIONS

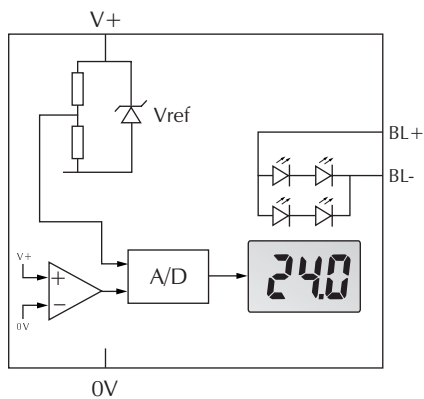
All dimensions in mm (inches)



PANEL FITTING



FUNCTIONAL BLOCK DIAGRAM



CONNECTIONS (rear view)

